



Connectors > Terminal Blocks & Strips > Barrier Strips



Barrier Strip Style: **Tri-Barrier**

Bottom Termination Type: **Printed Circuit**

Connector System: **Wire-to-Board**

Number of Positions: **6**

Centerline (Pitch): **11.1 mm [.438 in]**

## Features

### Product Type Features

Product Type	Barrier Strip
Block Style	Open Bottom with Standoffs
Connector System	Wire-to-Board
Connector & Contact Terminates To	Printed Circuit Board

### Configuration Features

Number of Levels	1
Number of Positions	6
Number of Rows	1

### Electrical Characteristics

Current Rating (Max)	30 A
Voltage Rating	600 V

### Body Features

Color	Black
Barrier Strip Style	Tri-Barrier



### Contact Features

Terminal Material	Copper Alloy
Terminal Plating Finish	Bright
Terminal Plating Material	Tin
Contact Current Rating (Max)	30 A

### Termination Features

Bottom Termination Type	Printed Circuit
-------------------------	-----------------

### Mechanical Attachment

Mounting Angle	Right Angle
Screw Head Type	Wire Clamp Combo Head
Top Termination Type	Wire Clamp Combo Head
Mounting Insert	Without
Screw Plating Material	Zinc
Screw Material	Steel
Mounting Options	None
Mounting Ears	Without
Screw Size	8-32
Connector Mounting Type	Board Mount

### Housing Features

Housing Material	Thermoplastic
Centerline (Pitch)	11.1 mm [.438 in]

### Dimensions

Length	68.53 mm [2.698 in]
Wire Size	.326 – 5.26 mm <sup>2</sup>

### Usage Conditions

Operating Temperature Range	-40 – 120 °C [-40 – 248 °F]
-----------------------------	-----------------------------

### Operation/Application

Circuit Application	Power
---------------------	-------

### Industry Standards

UL Flammability Rating	UL 94V-0
------------------------	----------

### Packaging Features

Packaging Quantity	100
--------------------	-----



Packaging Method

Package

### Other

Comment

Do not order screw and captive clamp in combination with other top hardware., Other options available upon request, consult our Product Information Center.

## Product Compliance

[For compliance documentation, visit the product page on TE.com>](#)

EU RoHS Directive 2011/65/EU

Compliant

EU ELV Directive 2000/53/EC

Compliant

China RoHS 2 Directive MIIT Order No 32, 2016

No Restricted Materials Above Threshold

EU REACH Regulation (EC) No. 1907/2006

Current ECHA Candidate List: JUNE 2022 (224)  
Candidate List Declared Against: JUN 2018 (191)  
Does not contain REACH SVHC

Halogen Content

Low Halogen - Br, Cl, F, I < 900 ppm per homogenous material. Also BFR/CFR/PVC Free

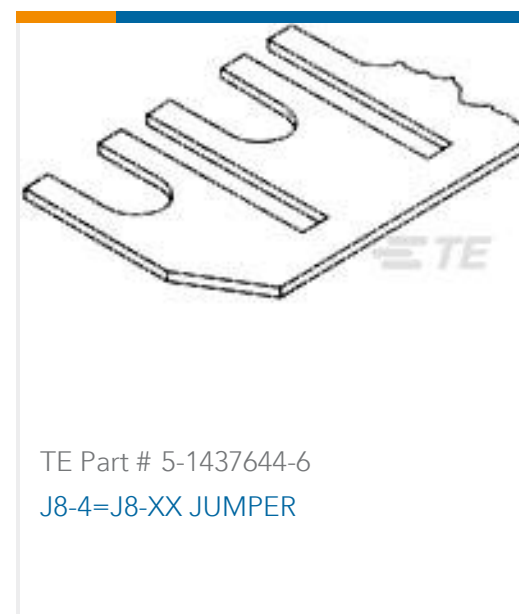
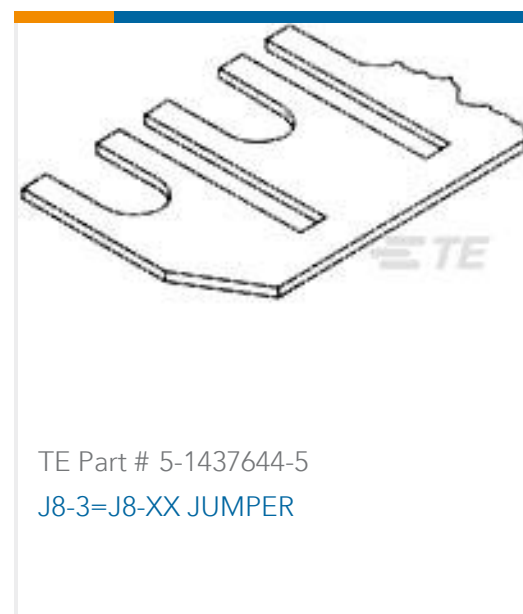
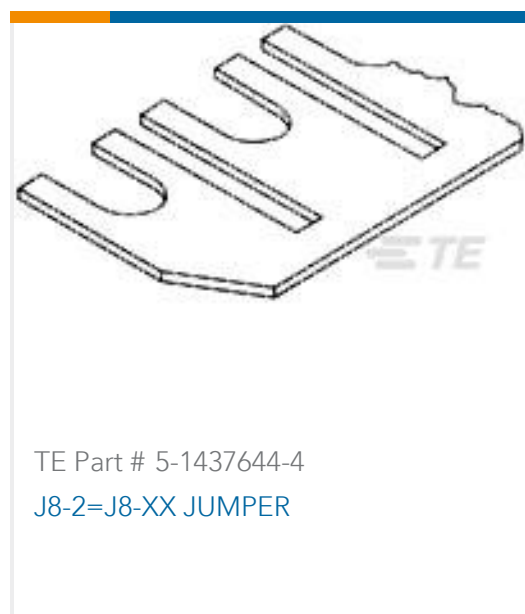
Solder Process Capability

Wave solder capable to 265°C

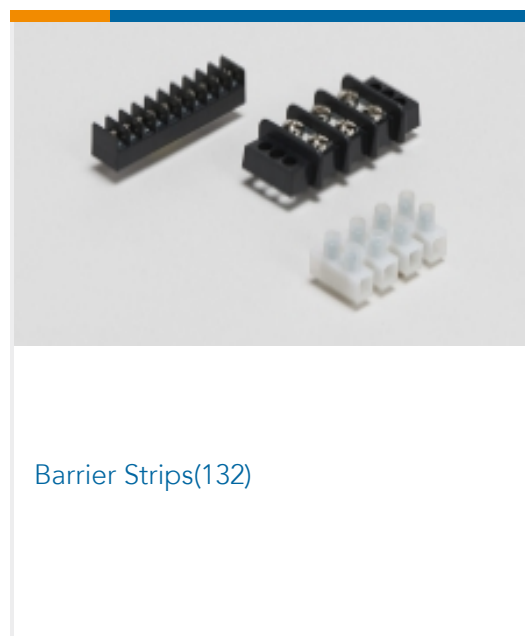
### Product Compliance Disclaimer

This information is provided based on reasonable inquiry of our suppliers and represents our current actual knowledge based on the information they provided. This information is subject to change. The part numbers that TE has identified as EU RoHS compliant have a maximum concentration of 0.1% by weight in homogenous materials for lead, hexavalent chromium, mercury, PBB, PBDE, DBP, BBP, DEHP, DIBP, and 0.01% for cadmium, or qualify for an exemption to these limits as defined in the Annexes of Directive 2011/65/EU (RoHS2). Finished electrical and electronic equipment products will be CE marked as required by Directive 2011/65/EU. Components may not be CE marked. Additionally, the part numbers that TE has identified as EU ELV compliant have a maximum concentration of 0.1% by weight in homogenous materials for lead, hexavalent chromium, and mercury, and 0.01% for cadmium, or qualify for an exemption to these limits as defined in the Annexes of Directive 2000/53/EC (ELV). Regarding the REACH Regulation, the information TE provides on SVHC in articles for this part number is based on the latest European Chemicals Agency (ECHA) 'Guidance on requirements for substances in articles' posted at this URL: <https://echa.europa.eu/guidance-documents/guidance-on-reach>

## Compatible Parts



## Also in the Series | Buchanan 8 Series



## Documents

### Product Drawings

[8PCR-06-006=#8 TRIBARRIER](#)

English

### CAD Files

Customer View Model

[ENG\\_CVM\\_CVM\\_3-1437657-7\\_G1.3d\\_stp.zip](#)

English

Customer View Model

[ENG\\_CVM\\_CVM\\_3-1437657-7\\_G1.2d\\_dxf.zip](#)

English

### 3D PDF

3D

Customer View Model

[ENG\\_CVM\\_CVM\\_3-1437657-7\\_G1.3d\\_igs.zip](#)

English

By downloading the CAD file I accept and agree to the [Terms and Conditions](#) of use.

### Datasheets & Catalog Pages

[1-1773458-2\\_BARRIER\\_STRIPS\\_QUICK\\_REFERENCE\\_GUIDE](#)

English